



Castellari

Olivance

EP V2

EP S V2

ELECTRIC RACKS

USER MANUAL AND MAINTENANCE



index

The manual in language is available on the www.castellarisrl.com
Use and maintenance manual: www.castellarisrl.com
Manuale of use and maintenance: www.castellarisrl.com
MANUFACTURE OF USE AND MAINTENANCE: www.castellarisrl.com



Sommario

- 1. DESCRIPTION OF THE GENERAL CHARACTERISTICS OF MACHINERY..... 3**
 - 1.1. Purpose of the manual 3
 - 1.2. Identification of machines 3
 - 1.3. Description of machines and technical data 3
 - 1.4. Subject to whom the manual is addressed 4
 - 1.5. Intended and unforeseen uses of machinery 4
 - 1.6. Security and security devices..... 5
 - 1.7. Risks arising from the use of machines 5
 - 1.7.1 Noise risk 5
 - 1.7.2 Vibration risk..... 5
 - 1.8. Olivance EP L/C V2 Components 6
 - 1.9. Specify Olivance EP L/C V2 Components 10
 - 1.10. Specify Olivance EP-S L/C V2 Components 10
 - 1.11. Olivance EP-S L/C V2 Components 11
- 2. SAFETY AND PREVENTION..... 15**
 - 2.1. Safety signals (pictograms) 15
 - 2.2. General safety standards 15
 - 2.3. Safety in use and maintenance..... 15
 - 2.3.1. Safety in use..... 15
 - 2.3.2. Maintenance safety 15
 - 2.4. Ecology and pollution 16
 - 2.4.1. Waste management 16
 - 2.4.2. User information..... 16
- 3. USE..... 16**
 - 3.1. Handling and transport..... 16
 - 3.2. Before use..... 16
 - 3.3. connection 16
 - 3.4. Use of machines..... 17
- 4. MAINTENANCE AND CLEANING 17**
 - 4.1. Routine maintenance 17
 - 4.2. Assembly and disassembly of combs EP L/C V2 18
 - 4.3. Assembly and disassembly of combs EP-S L/C V2 19
 - 4.4. Cleaning and lubrication of machines 20
 - 4.5. Set-aside 20
 - 4.6. Dismantling of machinery 20
 - 4.7. Spare parts..... 20
- 5. WARRANTY CONDITIONS 21**
 - 5.1. Exclusion from warranty..... 21
- 6. Declaration of conformity 21**

1. DESCRIPTION OF THE GENERAL CHARACTERISTICS OF MACHINERY

1.1. Purpose of the manual

This manual collects the necessary instructions for a correct and safe use of electric rakes collect olives "Olivance EP L/C V2" and "Olivance EP-S L/C V2", hereafter also defined as "machines", made by Castellari S.r.l., of Imola (BO).

Before the use of the machines, it is important to read and follow carefully the instructions given in this manual, since compliance with the indications given, together with proper maintenance, depends on the regular operation and durability of the machines themselves.

NB: This manual is an integral part of the machines, it must always accompany it in any movement or resale. Storage in a safe place is recommended, of which all possible users must be informed.

1.2. Identification of machines

The machines are equipped with an identification plate with the following data:

- Name of manufacturer and full address;
- Product name;
- Indication of PPE to be used;
- Indication of danger.

"CE" mark and year of production are printed directly from lime on the tool.

1.3. Description of machines and technical data

The electric rakes "Olivance EP L/C V2" and "Olivance EP-S L/C V2" are machines designed to make it easier and easier to harvest olives in complete respect of the plant. The shape and movement of the teeth of the rake are in fact such as to prevent violent mechanical stresses, which could damage the plant.

The fall of the fruits occurs by entangling between the teeth of the rake. Inside the head, where the combs are housed, there is the motorization group with the reduction gears. The operating head is located at the end of an extendable telescopic rod that allows the head with the comb to reach the foliage of the trees on which to collect the fruits. The telescopic manoeuvring rod is equipped with a lock-system closure and is crossed by the power cord, equipped with pliers for connection to the power battery.

TECHNICAL DATA OLIVANCE EP L/C V2:

POWER	SUPPLY	
tension	12V	
length	1,6 -2,2 m	2,2-3 m
weight	2,5 Kg	2,8 Kg
Power cable length	15 m	
Beat frequency	1150/min	
Engine power	80 watts	
Recommended battery	60 Ah- 80 Ah depending on usage	
Engine power	80 watts	

TECHNICAL DATA OLIVANCE EP-S L/C V2:

feeding	Electric	
tension	12V	
length	1,6-2,2 m	2,2-3 m
weight	2,5 Kg	2,8 Kg
Power cable length	15m	
Beat frequency	1150/min	
Engine power	80 watts	
Recommended bat	60 h- 80 Ah b:	

1.4 Subject to whom the manual is addressed

This manual is the essential guide for all users who, in various ways, can use or take care of the machines in carrying out different tasks.

Here are the possible professional profiles:

user:

Person, entity or company that buys or rents the machines and intends to use it for the purpose. His is the responsibility of the machines and the training of those who work around them.

operator:

Person trained in the use of machines.

It is able to conduct the machines through the use of the controls arranged on the push button, it can intervene only to make simple adjustments. It is not authorized to perform maintenance on the electrical or mechanical system of the machines.

Mechanical maintainer:

Specialized technician able to intervene on mechanical organs and transmissions to carry out all the necessary maintenance and repairs. It is not allowed to carry out electrical maintenance on the machines.

Electric maintainer:

Specialized technician able to operate in the presence of voltage inside electrical panels or derivation boxes. It is not allowed to perform maintenance on mechanical parts.

1.5 Intended and unforeseen uses of machinery

The machines are intended to be used exclusively for the collection of olives by shaking branches. They are intended for professional use. Operators must be eligible and be able to read and understand what is stated in this manual. Machinery should be used in the light of the existing accident prevention rules, the conditions of use and the characteristics of the machine itself.

danger:

Be careful not to use the machine in environments with an explosive atmosphere!

Due to the use of electrical components do not use in case of bad weather or thunderstorms.

1.6 Security and security devices

The machines are equipped with safety devices to protect the operator from all moving parts of the same.

Protective Carter: A fixed device that prevents direct contact with moving organs or dangerous parts of machines. Protection can only be removed by using appropriate tools. When the machines are in operation, the protective crankcase must be properly mounted.

Electrical interruption device: Allows the immediate interruption of all functions of the machines in case of an anomaly of the same. The intervention of this protection involves the emergency stop of the machines. In order for it to be reactivated, you must reset the device that caused the shutdown (fuse) by placing the start button in the stop position before restoring.

1.7 Risks arising from the use of machines

1.7.1 Noise risk

The sound level was detected by measuring the emission with moving machines in accordance with UNI EN ISO 11201 : 2010. The following values were collected: - Surface sound pressure level LpA (A) dB 76.55



The values found conclude that the operation of the machines involves a high level of noise.



During the use of the machines it is therefore mandatory to use hearing protectors such as headphones or earplugs, to avoid the onset of damage to the hearing apparatus over time.

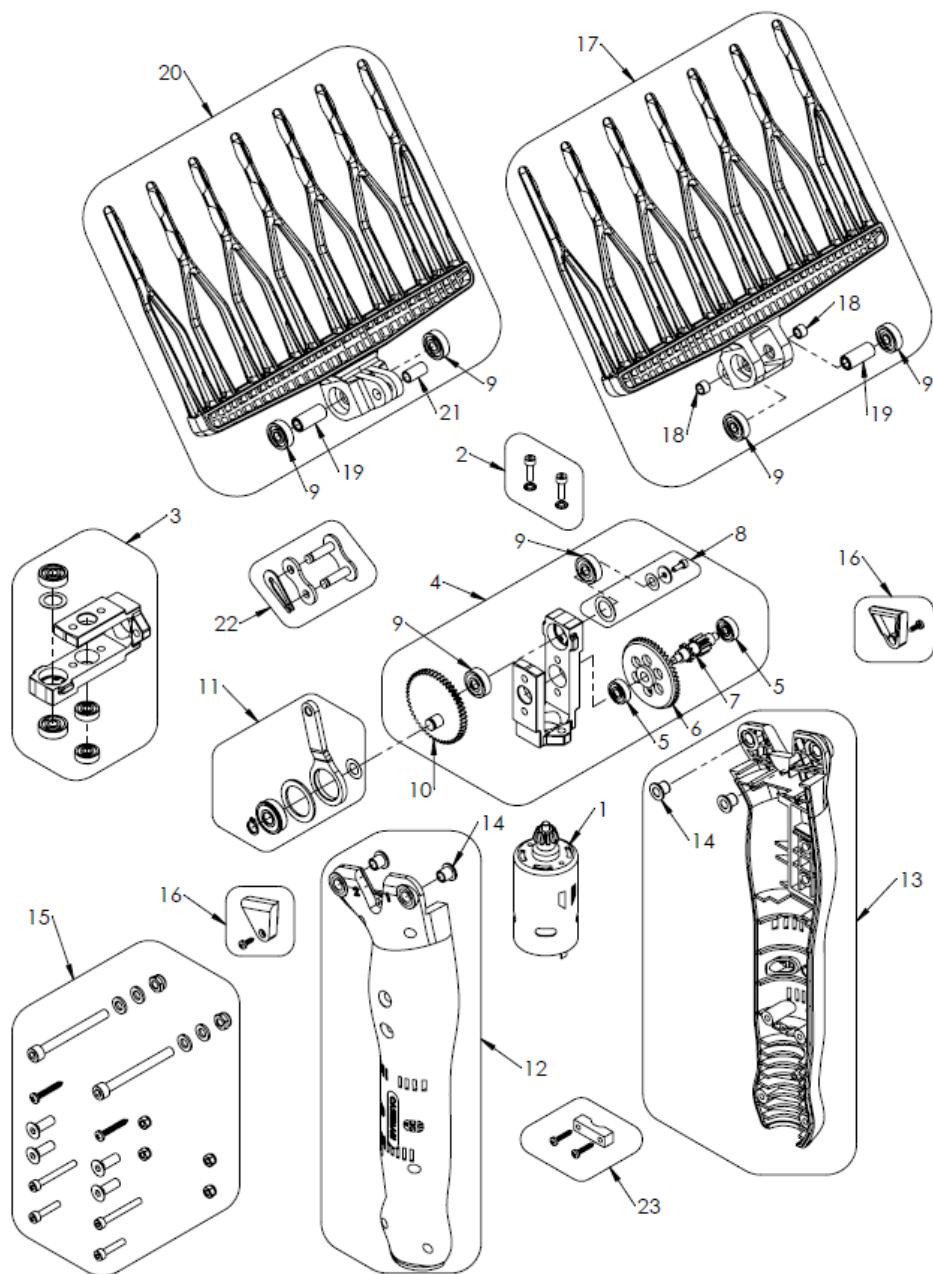
1.7.2 Vibration risk

The vibration level was measured with moving machines, in accordance with UNI EN ISO 5349-1 2004 for the evaluation of vibrations transmitted to the MANO-BRACCIO system.

The following value has been collected:

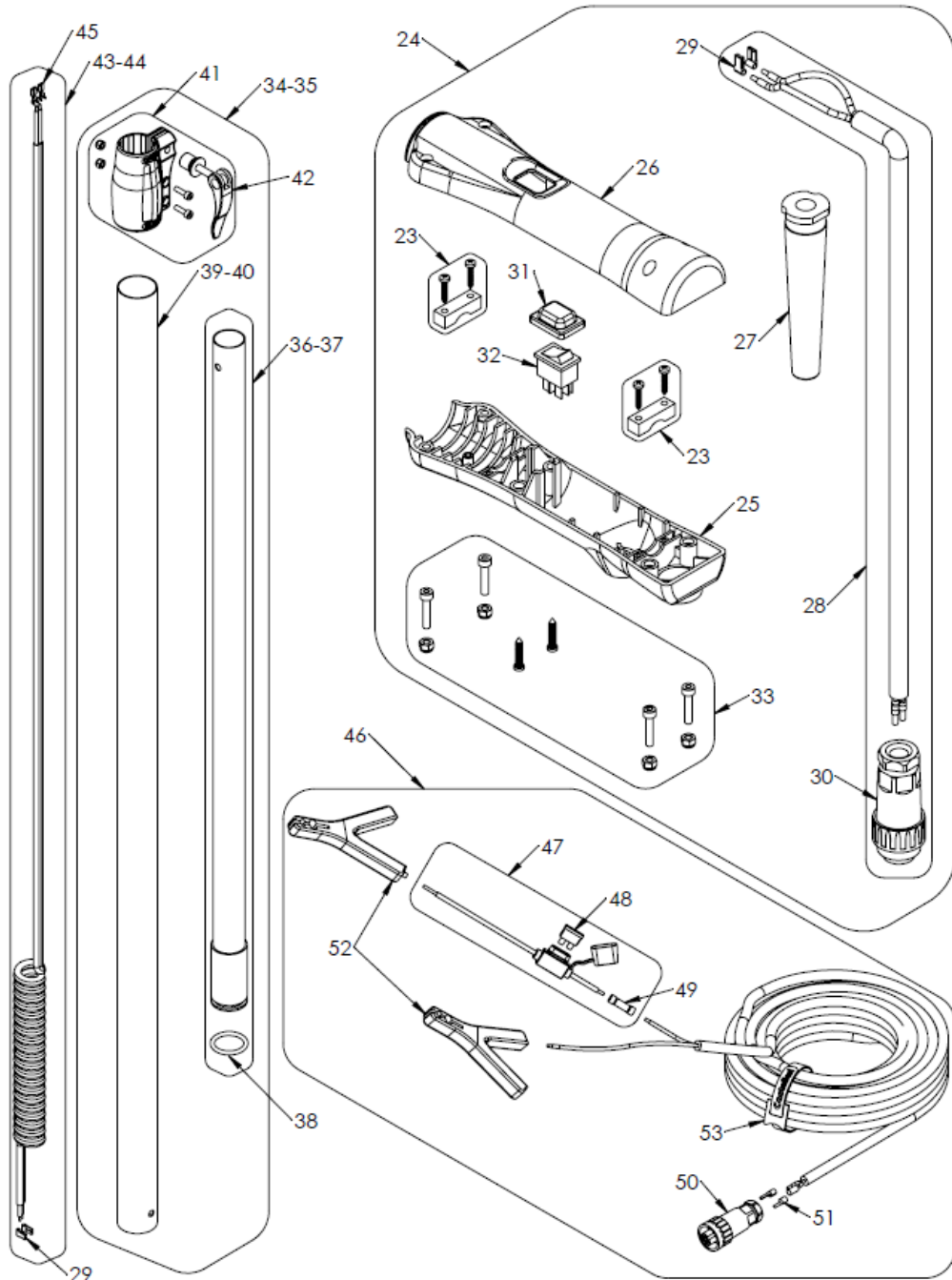
Hand-arm vibration level: 10.2 m/s² considering the heaviest use of the 3mt open machine. It is advisable to evaluate according to local laws the possible use of PPE.

1.8 Olivance EP L/C V2 Components



OLIVANCE EP L/C V2 REV06 - 11/03/2021

OLIVANCE EP L/C V2			
POS .	SET CODE	SET DESCRIPTION	PAC K
1	OE300100	ENGINE SET	1
2	OE300105	MOTOR SCREW SET	1
3	OE300315	OLIVANCE EP FRAME SET COMPLETE WITH BEARINGS	1
4	OE300305	OLIVANCE EP CHASSIS SET COMPLETE WITH GEARS	1
5	OE300130	BEARING 625 ZZ	1
6	OE300115	CONICAL CROWN	1
7	OE300120	CYLINDRICAL PINION	1
8	OE300140	BEARING FIXING KIT	1
9	OE300135	BEARING 626 ZZ	1
10	OE300125	CYLINDRICAL CROWN WITH PARTNA	1
11	OE300181	SET BIELLA OLIVANCE EP	1
12	OE300156	LEFT CARTER SET	1
13	OE300161	SET CARTER RIGHT	1
14	OE300200	BUSHING COMB SUPPORT	1
15	OE300190	SET VITI CARTER	1
16	OE300195	SET COVER REMOVIBILE	1
17	OE300150	SET UPPER COMB OLIVANCE EVO-S/EP	1
18	OE400155	SHORT TEMPERED BUSHING	1
19	OE400150	SPACER COMB BEARINGS	1
20	100.OP07 K	SET PETTINE INFERIORE OLIVANCE EVO/EP/PN	1
21	OP51	LONG TEMPERED BUSHING	1
22	100.OP49	CHAIN MESH	1
23	OE400110	SET BLOCCACAVO	1



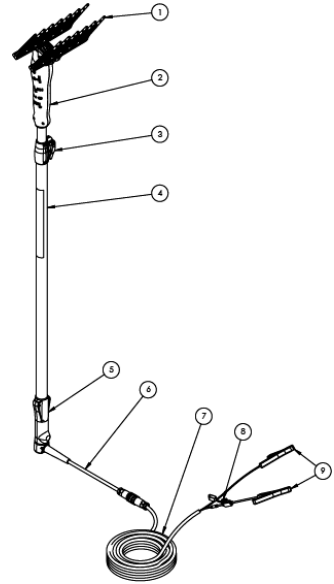
OLIVANCE EP L/C V2 REV06 - 11/03/2021

23	OE400110	SET BLOCCACAVO	1
24	OE300320	COMPLETE HANDLE SET OLIVANCE EP 2016-2017 WITH CABLE	1
25	OE400106	LOWER SHELL	1
26	OE400100	UPPER SHELL	1
27	OE400141	PASSACAVO	1
28	OE800400	EXTERNAL CABLE 0.50 MT 2015-2016	1
29	OE600204	FASTON 4.8X0.5 FEMALE 90°	1
30	OE600116	FRUTTO SPINA NEW	1
31	OE600200	SWITCH PROTECTION SHELL	1
32	OE400115	SWITCH 12 A	1
33	OE400130	HANDLE SCREW SET	1
34	OE608001	SET ASTA TELESCOPICA 2-3 MT	1
35	OE608002	SET ASTA TELESCOPICA 1,5-2,2 MT	1
36	OE608003	SET THIS INTERNA OLIVANCE 2-3 MT	1
37	OE608004	SET THIS INTERNA OLIVANCE 1,5-2,2 MT	1
38	CA OR134	GASKET OR 25.80X3.53	1
39	TO900210	ALUMINIUM LONG ROD SET Ø35	1
40	TO900215	ALUMINIUM Ø35 SHORT ROD SET	1
41	OE500100	SET LOCK SYSTEM	1
42	OE500106	QUICK CLOSE SET	1
43	OE609012	TELESCOPIC ROD CABLE 2-3 MT	1
44	OE609013	TELESCOPIC ROD CABLE 1.5-2.2 MT	1
45	OE600203	FASTON 4.8X0.5 STRAIGHT FEMALE	1
46	OE800150	EXTERNAL CABLE 15 MT 2015-2016	1
47	OE800151	2015/2016 BULK CARRIER SET FOR 15 MT CABLE	1
48	TO800150	BLADE FUSE 32V 15A	1
49	TO800239	PRE-ISOLATED HEAD CONNECTOR	1
50	OE600111	NEW TAKEN FRUIT	1
51	TO800241	CAPOCORDA PUNTALINO	1
52	OE800152	START PLIERS SET	1
53	OE800153	VELCRO BAND	1

REV06-11/03/2021

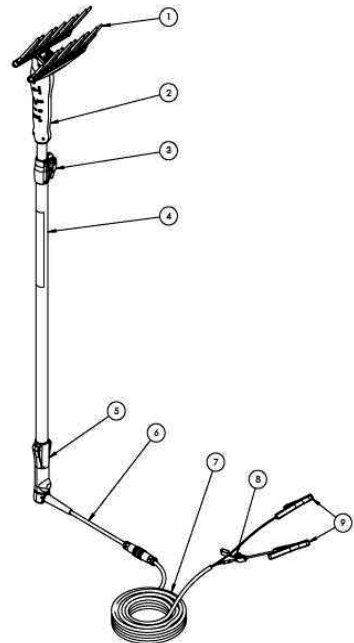
1.9 Specify Olivance EP L/C V2 Components

- 1 rake
- 2 Carter Protected Motor Body
- 3 Locking body
- 4 This telescopic (1.5 – 2.2 m; 2 to 3 m)
- 5 grip
- 6 Cable with connector (50cm)
- 7 Cable with connector (15 m)
- 8 Blade fuse fuse fuse (12 Amp)
- 9 Crocodile clamps for battery (12 V)**

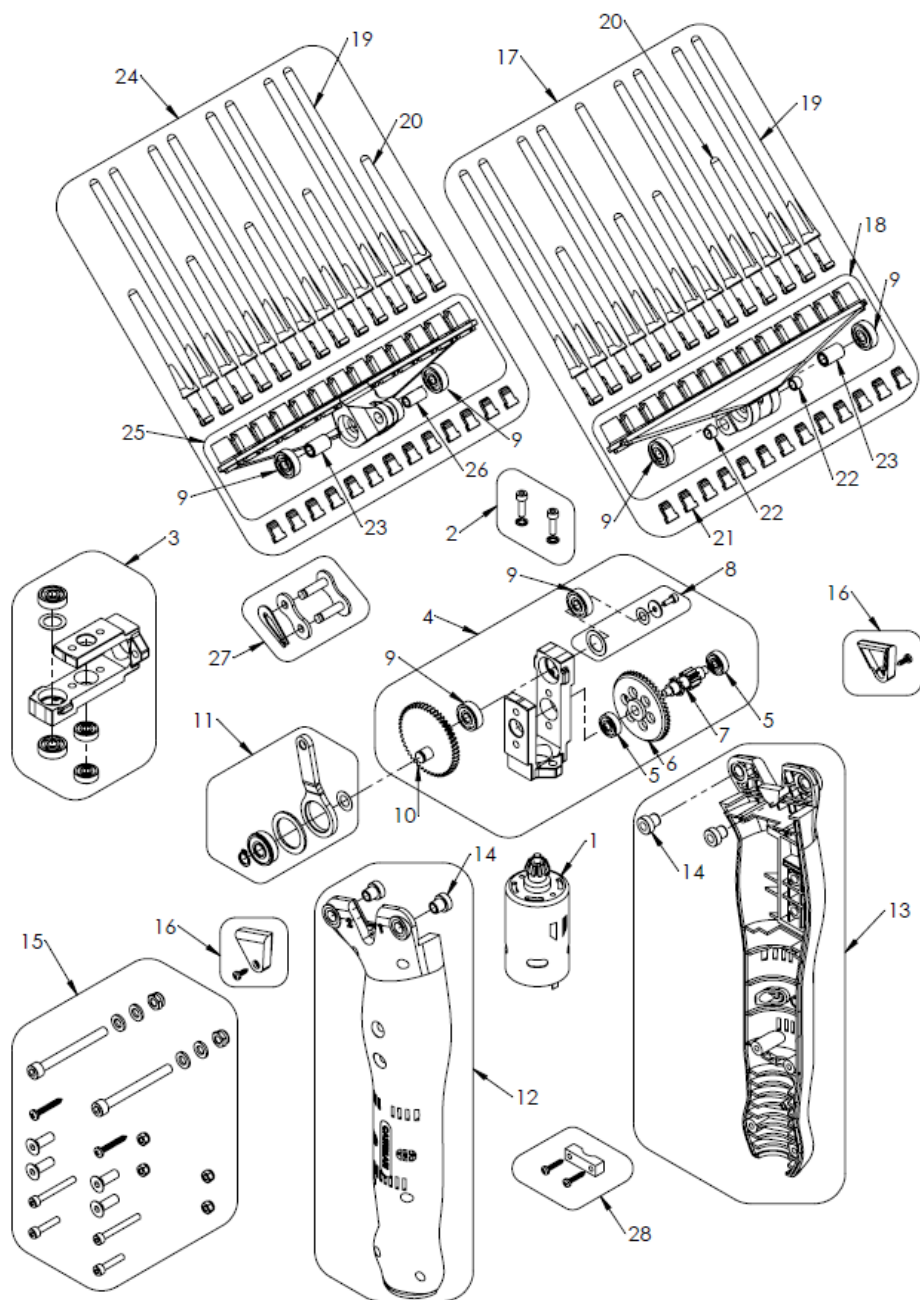


1.10 Specify Olivance EP-S L/C V2 Components

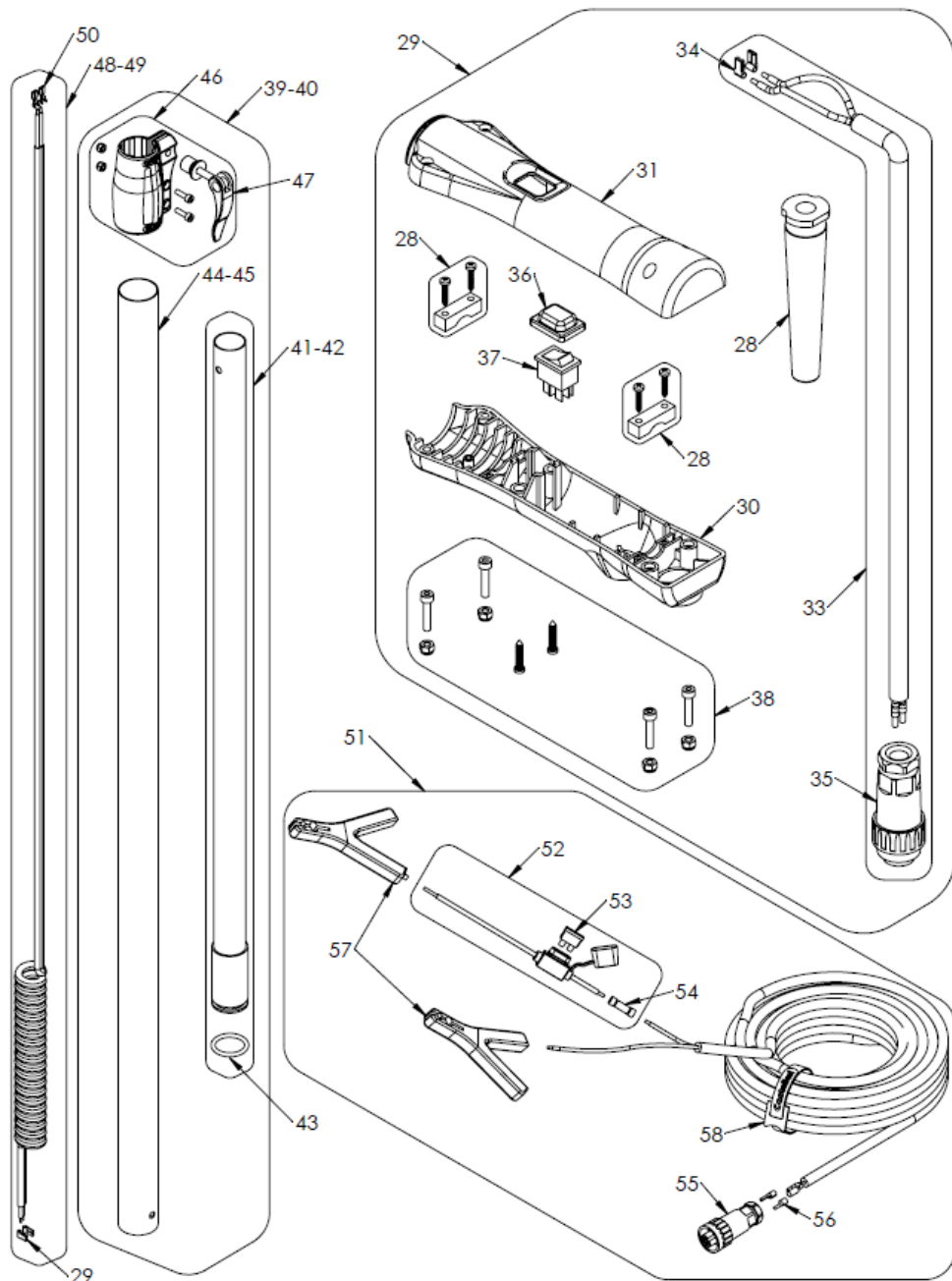
1. Rake with pull-out combs
2. Engine body protected by the crankcase
3. Telescopic rod locking body
4. This telescopic (1.5 – 2.2 m; 2 - 3m)
5. grip
6. Cable with connector (50 cm)
7. Cable with connector (15 m)
8. Bulk carrier (12 Amp delayed)
9. Crocodile clamps for battery (12V)



1.11 Olivance EP-S L/C V2 Components



OLIVANCE EP-S L/C V2			
POS.	SET CODE	SET DESCRIPTION	PACK
1	OE300100	ENGINE SET	1
2	OE300105	MOTOR SCREW SET	1
3	OE300315	OLIVANCE EP FRAME SET COMPLETE WITH BEARINGS	1
4	OE300305	OLIVANCE EP CHASSIS SET COMPLETE WITH GEARS	1
5	OE300130	BEARING 625 ZZ	1
6	OE300115	CONICAL CROWN	1
7	OE300120	CYLINDRICAL PINION	1
8	OE300140	BEARING FIXING KIT	1
9	OE300135	BEARING 626 ZZ	1
10	OE300125	CYLINDRICAL CROWN WITH PARTNA	1
11	OE300181	SET BIELLA OLIVANCE EP	1
12	100.OP12K	SET CARTER SX	1
13	100.OP13K	SET CARTER DX	1
14	OP48	BUSHING COMB SUPPORT	1
15	OE300190	SET VITI CARTER	1
16	OE300195	SET COVER REMOVIBILE	1
17	100.OP10K	UPPER COMB SET OLIVANCE EVO-S/EP-S	1
18	100.OP14K	TOP PULLABLE COMB BASE SET	1
19	100.OP44	LONG TOOTH	1
20	100.OP45	SHORT TOOTH	1
21	100.OP46	LOCKING PLUG	1
22	OE400155	SHORT TEMPERED BUSHING	1
23	OP47	SPACER COMB BEARINGS	1
24	100.OP101	EP-S/PN- S LOWER COMB SET	1
25	100.OP43	BOTTOM PULLABLE COMB BASE SET	1
26	OP51	LONG TEMPERED BUSHING	1
27	100.OP49	CHAIN MESH	1
28	OE400110	SET BLOCCACAVO	1




OLIVANCE EP-S L/C V2 REV06 - 11/03/2021

28	OE400110	SET BLOCCACAVO	1
29	OE300320	COMPLETE HANDLE SET OLIVANCE EP 2016-2017 WITH CABLE	1
30	OE400106	LOWER SHELL	1
31	OE400100	UPPER SHELL	1
32	OE400141	PASSACAVO	1
33	OE800400	EXTERNAL CABLE 0.50 MT 2015-2016	1
34	OE600204	FASTON 4.8X0.5 FEMALE 90°	1
35	OE600116	FRUTTO SPINA NEW	1
36	OE600200	SWITCH PROTECTION SHELL	1
37	OE400115	SWITCH 12 A	1
38	OE400130	HANDLE SCREW SET	1
39	OE608001	SET ASTA TELESCOPICA 2-3 MT	1
40	OE608002	SET ASTA TELESCOPICA 1,5-2,2 MT	1
41	OE608003	SET THIS INTERNA OLIVANCE 2-3 MT	1
42	OE608004	SET THIS INTERNA OLIVANCE 1,5-2,2 MT	1
43	CA OR134	GASKET OR 25.80X3.53	1
44	TO900210	ALUMINIUM LONG ROD SET Ø35	1
45	TO900215	ALUMINIUM Ø35 SHORT ROD SET	1
46	OE500100	SET LOCK SYSTEM	1
47	OE500106	QUICK CLOSE SET	1
48	OE609012	TELESCOPIC ROD CABLE 2-3 MT	1
49	OE609013	TELESCOPIC ROD CABLE 1.5-2.2 MT	1
50	OE600203	FASTON 4.8X0.5 STRAIGHT FEMALE	1
51	OE800150	EXTERNAL CABLE 15 MT 2015-2016	1
52	OE800151	2015/2016 BULK CARRIER SET FOR 15 MT CABLE	1
53	TO800150	BLADE FUSE 32V 15A	1
54	TO800239	PRE-ISOLATED HEAD CONNECTOR	1
55	OE600111	NEW TAKEN FRUIT	1
56	TO800241	CAPOCORDA PUNTALINO	1
57	OE800152	START PLIERS SET	1
58	OE800153	VELCRO BAND	1
REV06-11/03/2021			

2. SAFETY AND PREVENTION

It is very important to read this manual carefully in order to be able to minimize the risks due to a reckless or incorrect use of the machine covered by the manual. The user will have to instruct the operator on the risks due to the use of the machine, on the devices prepared for safety and on the general safety rules provided for by the directives and legislation of the country of use of the machine.

2.1. Safety signals (pictograms)

The dangerous situations related to the use of the machine are indicated in the manual using the following symbol: 

The same symbol is used on the machine to highlight potential residual risks which, despite the adoption of all possible safety standards in the construction of the machine, it has not been possible to eliminate completely for certain conditions of use.

N.B.: It is important to keep the signals on the machine always clean and therefore clearly visible in order to allow users a quick identification of possible risk situations during use.


2.2. General safety standards

The staff undertakes to:

- always use the personal means of protection provided for in the legislation and follow the information in this manual,
- comply with all the indications of danger and caution reported on the machines,
- do not carry out operations or interventions on machines on their own initiative, which are not within their competence,
- report to your superior any problem or dangerous situation that may arise.

Machinery should only be used for the use for which they were designed.

Machinery must not be operated with disassembled protections: safety barriers and crankcases must not be removed or disengaged.

 **NB:** Avoid wearing loose, fluttering clothes, as they may get entangled in moving parts of the machine. It is important to use suitable clothing. The operator must not carry scissors or pointed tools in the pockets. *Mention should be made of the prohibition of transit and parking within range of the machine outside the operator.*

2.3. Safety in use and maintenance

2.3.1. Safety in use

- Before putting the machines into operation, make sure that all the safety is perfectly safe.
- The area in which the machines are used is to be considered a "Danger Zone", i.e. an area in the vicinity of which the presence of an exposed person poses a risk to the health and safety of that person. This is particularly the case in the case of the presence of persons not trained in the use of machines.
- The area surrounding the operating area of the machines must always be cleaned and kept clear of any impediment. Make sure there are no people or animals in the machine use area.
- When a person is "exposed" or is in a "danger zone", the operator must immediately intervene by stopping the machines and possibly driving away the person in question.
- During the operation of the machinery, the operator must maintain a position that allows his full control, so that he can intervene at any time and for any eventuality.
- Before you leave control of the machines, always make sure that the power supply is detached.
- Periodically check the integrity of machines as a whole, including protective equipment.

2.3.2. Maintenance safety

- Before carrying out any maintenance work on the machines, make sure that the power supply is detached.
- Maintenance operations must always be carried out by personnel qualified for these specific functions.
- At the end of maintenance and repair operations, before restarting the machines, the technical manager must ensure that the work is completed, the safety restored and that the protections have been reassembled.
- During maintenance or repair operations, the use of suitable protective clothing is mandatory, such as:

GlovesEctor



Otoprotective.



Scile-proof shoes and anti crushing



Adjustments, whether disengaged or without a crankcase, must be made by a single operator; during these operations, access to the machine to non-workers is prohibited. Avoid dust deposits on the machine, especially on the electric motor and suction filters.



NB: Do not direct water jets against the machine (e.g. for cleaning), they may generate short circuit!

2.4. Ecology and pollution

2.4.1. Waste management

The use and maintenance of the machines generate waste products that must be disposed of in compliance with the laws in force in the country where the machine is used. The user of the machines is required to comply with any recommendations of the manufacturers regarding the use of the products for the normal operation, cleaning and maintenance of the machines.

Any special waste must be disposed of by contacting specialized firms authorized for this purpose. Ensure the correct disposal of the waste through the request of the receipt of "disposal". In the event of dismantling of the machinery, see section 4.5.

2.4.2. User information



The crossed-out bin symbol on the equipment indicates that the product at the end of its useful life must be collected separately from other waste and cannot be disposed of like household waste.

The user who must/will want to get rid of this machine may refer to a person authorized to collect and recover such equipment or, alternatively, contact the manufacturer of the equipment that manages its end of life and follow the system indicated by it to allow its separate collection. In case of disposal in a foreign country, contact the competent local authority.

Professional users will have to take care of agreeing on the disposal of the product at the end of their life. Also refer to the www.registroaee.it

3. use

3.1. Handling and transport

The machines are easily transportable both in packed and free form. It is recommended to pay attention to the airlines of the machines when it is transported for its use.

3.2. Before use

Before commissioning the machinery, the operator must have read and understood all parts of this manual and in particular what is stated in Chapter 2 on safety.

Before using the machines for the first time:

- familiarize yourself with control devices and their functions,
- check that all components of machinery subject to wear or deterioration are in a healthy state.
- Make sure that all security systems are intact and that the fixed crankcases are in the correct position.
- Verify that the start button is in the stop position.

3.3. connection

The machines must be connected exclusively to a well-charged battery of 12 Volts via the clamps present at the end of the supplied power cable.

How to connect clamps:

- connect the RED CLAMP to the battery at the + SIGN
- connect the BLACK CLAMP to the battery at the SIGN -

Check the correct connection before turning on so as not to cause irreversible damage to the machine.

NB:

- Do not connect clamps to generators, car batteries, agricultural vehicles charging groups that could generate potentially harmful current peaks for machines. Do not use machines in contact with water.
- Be sure to screw the screw rings of the connection sockets firmly machine and cable, to avoid movements on the contacts that would damage the operation of the sockets themselves



3.4. Use of machines

The machines are started by means of the switch placed on the handle. Once started approach with the comb to the branch to shake. Pay attention to branches especially laden with fruits.

- Hold the machine firmly with both hands and always work in stable condition on the legs.

NB: Avoid touching moving parts of the machine in any way.

- To turn off the machine it is enough to return the switch to the opposite position to the power-on position.

In the event that the machine is temporarily unused, it is important to place it in a stable horizontal position in order to avoid risky falls.

Tips for use:

- The wear of the mechanical and electronic components of the machine is closely related to the mode of use of the machine itself. Therefore avoid insisting on the branch to be shaken until you determine the stop of the machine, this would cause a mechanical and thermal overload of the components. Try to limit the stops as much as possible for too much effort, this will lengthen the life of your tool!
- In order to avoid dangerous overloads of effort, which may cause damage to the comb, it is recommended to intersperse the shaking action with regular breaks, in order not to solicit the tool beyond the standards for which it has been designed and tested.
- It is not recommended to use low or deteriorated batteries.

4. MAINTENANCE AND CLEANING

4.1. Routine maintenance

The long life of the machines and the lower operating cost depend on compliance with this standard.

Periodic checks to be carried out:

- 1) daily:
 - Oil connecting rod system, comb and chain mesh;
 - Check the wear status of moving mechanical parts;
- 2) On the second day:
 - Tighten the carter's beeve screws;
- 3) Every week:
 - It is recommended to disassemble the crankcase containing the motor and the gearbox to clean the inside of the dirty or aged grease, blow the engine with clean compressed air from the residues of the brushes' charcoals, grease the gears and close the handle.

The reported intervention times are to be considered indicative and are defined considering normal conditions of use of the machine. They may vary according to the mode of use of the machine and in relation to the characteristics of the environment in which it is used, e.g. humidity level, air cleaning (presence of dust). In conditions of heavy use, it is necessary to increase the number of maintenance interventions.



Before proceeding with any operation, make sure that the machine is turned off and with the battery clamps detached.

4.2. Assembly and disassembly of combs EP L/C V2

Figure 1

Unscrew the screws (1) and pull out the safety covers (2)

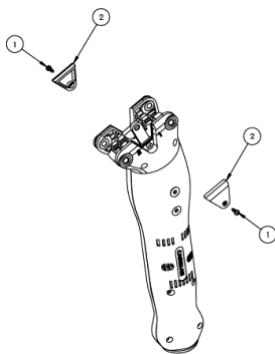


Figure 2

Insert the connecting rod (3) into the upper comb housing (4), align the holes and insert the false mesh (5).

Place the shooting hole of the lower comb on the free part of the false mesh (5).

Close the fake shirt with the plate (7) and fix the spring (8).

N.B. Carefully grease all assembly holes.

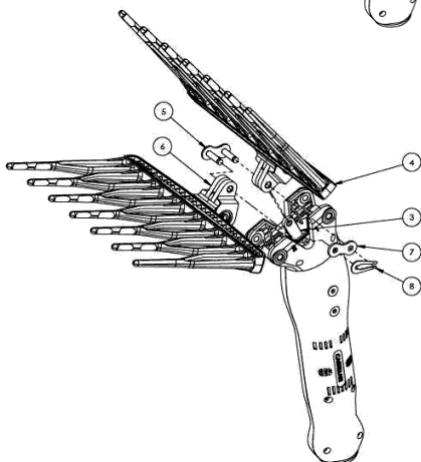
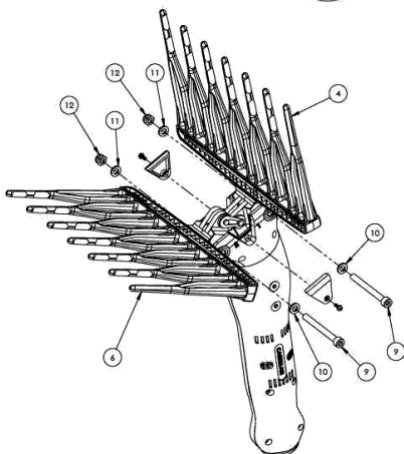


Figure 3

Align the bearing holes of the upper comb (4) to the holes indicated in the crankcase as no. 1 and insert the screw (9) by interposing the washer (10); on the opposite side insert the washer (11) and nut (12) on the screw.

Similarly, align the bearing holes of the lower comb (6) with the holes indicated in the crankcase as no. 2 and repeat the fixing operation with screw, washers and nut.

Reposition the safety lids and screw both screws.



4.3. Assembly and disassembly of combs EP-S L/C V2

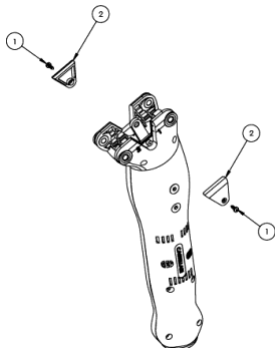


Figure 1

Unscrew the screws (1) and pull out the safety covers (2)

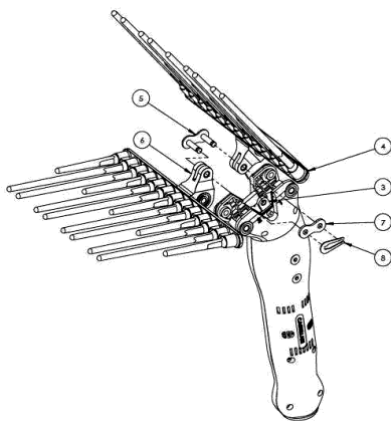


Figure 2

Insert the connecting rod (3) into the upper comb housing (4), align the holes and insert the false mesh (5).

Fit on the free part of the false shirt (5) the firing hole of the lower comb (6). Close the fake shirt with the plate (7) and fix the spring (8).

N.B. Gain weight all the holes of assembly.

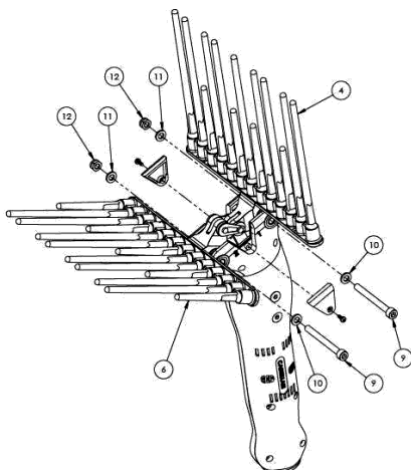


Figure 3

Align the bearing holes of the upper comb (4) to the holes indicated in the crankcase as no. 1 and insert the screw (9) by interposing the washer (10); on the opposite side insert the washer (11) and nut (12) on the screw.

Similarly, align the bearing holes of the lower comb (6) with the holes indicated in the crankcase as no. 2 and repeat the fixing operation with screw, washers and nut.

Reposition the safety lids and screw both screws.

4.4. Cleaning and lubrication of machines

The machines must be cleaned on a daily basis in order to avoid deposits of solid particles and dusts that can limit the efficiency of operation of the mechanical parts. For this purpose, it is recommended to remove from the air intakes any accumulations of solid particles and dust.

Lubrication should be carried out in a systematic and daily manner at the junction point level of the combs and on moving mechanical parts.

4.5. Set-aside

In the event that a long rest period of machinery is specified, the following operations must be carried out:

- disconnect the machines from the power supply;
- clean the machine, freeing it from any dirt residues deposited inside it, between the mechanical parts and the engine;
- carry out a check by replacing the damaged/worn parts from use;
- carry out an accurate lubrication of the mechanical parts with grease at high temperatures;
- cover the machines to avoid dust/dirt depositing on its surface or inside it.

Carefully carry out the maintenance operations described above.

4.6. Dismantling of machinery

Disconnect the machines from the power supply and cut the connecting cable.

The machines consist of materials that can be recovered; in particular, iron recovery is possible. Deliver your disused machines to an official materials recycling center. Actively contribute to the protection of the environment by applying methods of elimination and recovery also in relation to the packaging materials with which the packaging of the machine is made. Your local authority will be able to inform you about the most effective ways and possibilities for disposing of the old instrument, in an environmentally friendly manner.

Troubleshooting common problems – see Website

problem origin OF THE PROBLEM	THE COMB DOES NOT START	COMB FREEZES DURING WORK	THE COMB WORKS SLOWLY
CHECK THE SAFETY FUSE	*	*	
BATTERY CHARGE LEVEL low			*

4.7. Spare parts

In order to guarantee the safety and long life of the product, it is recommended to use original spare parts exclusively. Specialist repairs or maintenance must be carried out by specialized and authorized personnel.

5. WARRANTY CONDITIONS

The manufacturer guarantees the new factory product for a period of 12 (twelve) months from the date of purchase.

NB: Check, at the time of purchase, that the machine is intact and complete in its components. Any complaints must be submitted within 7 days of receipt of the machines. The warranty involves the free repair or replacement of those parts that are defective.

NB: Replacements or repairs of the warranty parts do not in any way imply an extension of the warranty period. The buyer will only be able to assert his rights if he has complied with the conditions relating to the performance of the guarantee.

5.1. Exclusion from warranty

The warranty lapses in the following cases:

- There is a manoeuvring error attributable to the operator,
- The damage is due to insufficient or incorrect maintenance,
- Damage caused by assembly of non-original parts or as a result of repairs carried out by the user without the consent of the manufacturer,
- If detailed instructions are not followed in this manual.
-

6. Declaration of conformity

Directive 2006/42/EC of the European Parliament and of the Council.

I signed Castellari Enrico in charge of production Castellari S.r.l., "Scissor construction for agriculture", Via Lasie 16/E - 40026 IMOLA (BO) ITALIA, I declare under my sole responsibility that olivance EP L/C V2 and EP-S L/C V2 electric rakes comply with the essential safety and health protection requirements required by Directive 2006/42/EC of the European Parliament and of the Council.

CERTIFICATE OF GUARANTEE · WARRANTY CERTIFICATE
CERTIFIED BY GARANTIA · ΠΙΣΤΟΠΟΙΗΤΙΚΟ ΕΓΓΥΗΣΗΣ

Product Name · Product's name
Njmbre del producto · Product's only product

Anno di immatricolazione prodotto · Registration's year of the product
Ano de matriculacion del producto · Year of Product Separation In The Register

Date of purchase · Purchasing dates
Date of purchase · Ημερομηνία Αγοράς

Castellari Srl guarantees its products against manufacturing defects for 1 year from the date of purchase. Submit/ship this coupon together with invoice/receipt in case of service request.

Castellari Srl guarantees that its products are free from manufacturing defects for 1 year from the purchase date.
Please, to request technical support, submit/send this form together with the invoice/receipt of purchase of the goods.

The company Castellari Srl guarantees its products against manufacturing defects for 1 year from the date of purchase.
Present/send this coupon along with the invoice/receipt in case of requesting assistance.

Castellari Srl guarantees its products for construction products for one year from the date of purchase.
Please send the form together with the invoice/receipt in case you request support.

Reseller Stamp
Dealer's stamp
Dealer Seal



Via Lasie 16/E - 40026 IMOLA (Bo)
Tel. +39 0542.43659 - +39 0542 628142
Fax +39 0542.41448 - +39 0542 626930
www.castellarisrl.com - info@castellarisrl.com